

Contact pressure gauges with diaphragm Stainless steel , with or without filling

Nominal size 100 , 160
Accuracy class 1,6 and 2,5

according to DIN EN 837-3

Features

- High resistance to overpressure
- High corrosion resistance with chemically aggressive media and environments
- Protection IP 65
- Liquid dampening provides vibration free display

Applications

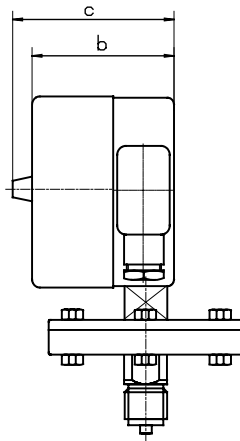
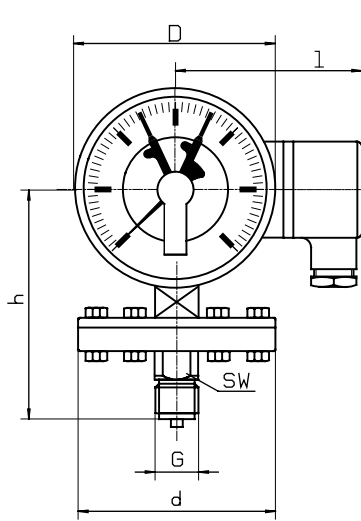
- Chemical and petrochemical industry
- Food and beverage industry
- Mechanical engineering ,plant and apparatus construct
Reinigung ermöglichen.



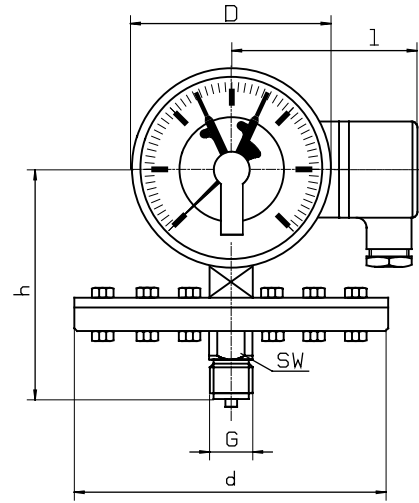
Version	with silicone oil filling			
Model and ND	KMP-30 100	KMP-30 160	KMP-30 100 F	KMP-30 160 F
Connection	bottom			
Accuracy class	1,6, ranges under 600 mbar with filling only Kl. 2,5			
Ranges	in mbar 0...60, 100, 160, 250, 400 in bar 0...0,6, 1, 1,6, 2,5, 4, 6, 10, 16, 25 in bar -0,6 / 0, -1 / 0, -1 / +0,6, -1 / +1,5, -1 / +3, -1 / +5, -1 / +9, -1 / +15			
Application	Constant load full scale value Alternating load 0,9 x full scale value Overload protection 1,3 x full scale value short time			
Case	CrNi steel			
Bezel	CrNi steel			
Window	Laminated safety glass			
Dial	Aluminium white, scale black			
Pointer	Aluminium, black			
Movement	CrNi steel			
Flangediameter	160 mm up to 250 mbar, 100 mm from 0,4 bar			
Measuring element	CrNi steel , from 2,5 bar Duratherm 600			
Lower flange	SW 22, CrNi steel			
Connection	G 1/2 B and DIN-flange DN 15, 20, 25 and 50, for all PN 40			
Protection	IP 54 according to EN 60529 / IEC 529		IP 65 nach EN 60529 / IEC 529	
Temperatures	Medium: -20°C to 100°C, Ambient: -25°C to 60°C			
Informations over magnet snap action contact and induktive contact see data sheets M 950 and 960				

Dimensions

Flange 100 mm



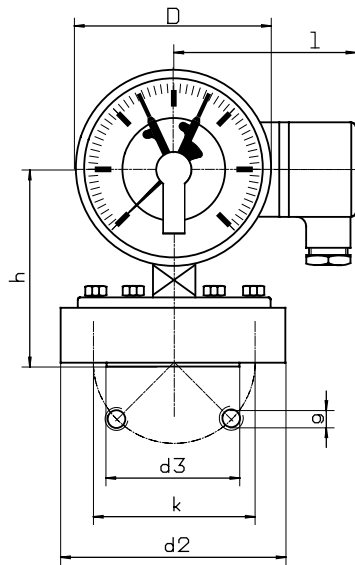
Flange 160 mm



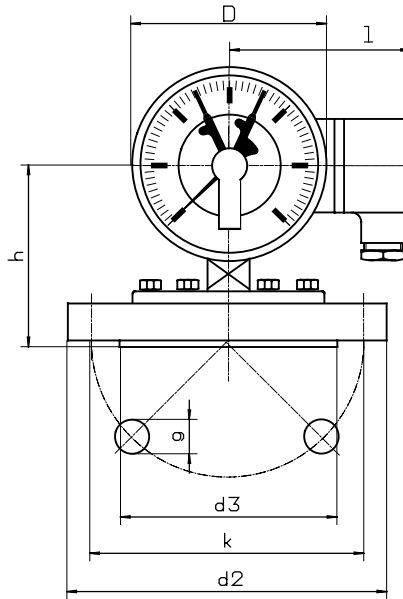
Flange according to DIN

Flange 100 mm

DN 25

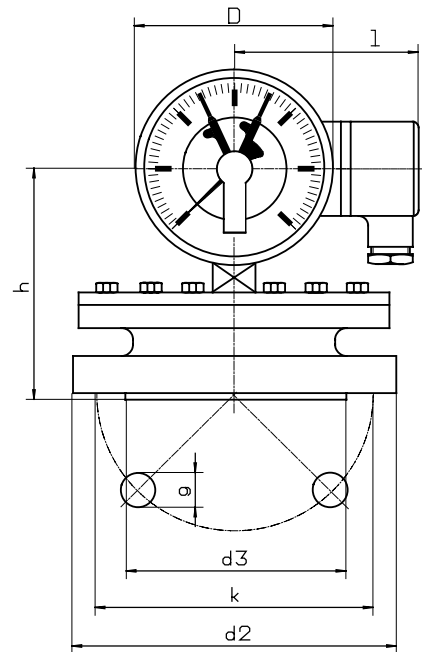


DN 50



Flange 160 mm

DN 50



Modelspecification

Model
KMP-3

Connection
0

bottom = 0

Filling

F or -

with filling = F
without filling =

Nominal size

100 or 160

Case ND 100 = 100
Case ND 160 = 160

Range

f.e. 10 bar

Contact after specification

Options

f.e. M 12

Contact closes/opens
other versions
f.e. DIN flange DN 50

after rangespecification
or direkt 10 bar

Dimensionstable lock at data sheet M 590